



NO:RD-PH406466A  
DATE:2005/09/27 I (REV:A2)

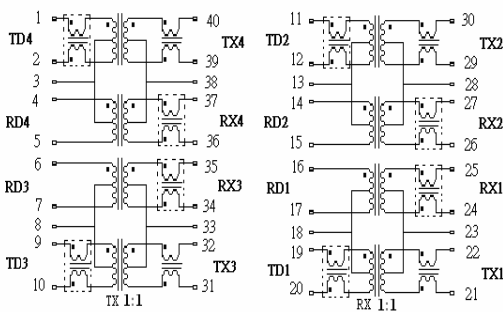
# 10/100 BASE-TX TRANSFORMERS FOR AUTO MDI/MDIX APPLICATIONS MODEL NO.: HK-064

**FEATURE:**

- RoHS Compliant
- RoHS peak solder rating 260 / 3~5SEC
- DESIGNED TO MEET IR REQUIREMENT
- SPECIFICATIONS:AT 25**
- Turns Ratio RX : 1 : 1
- Turns Ratio TX : 1 : 1
- OCL : 350 uH 8mA
- LL : 0.4 uH MAX
- Cw/w : 56 pF MAX
- Rise Time : 3.0 ns MAX
- HIPOT : 1500VAC.

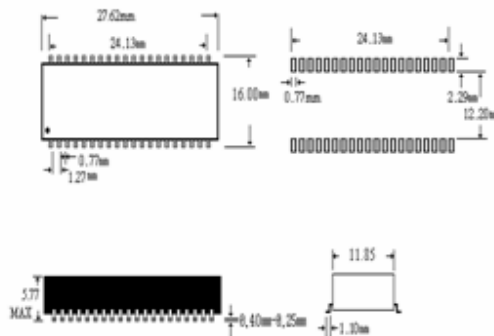
Parts Number	Insertion Loss (dB MAX) 0.1-100MHz	Return Loss (dB MIN)				Cross talk (dB MIN)				Differential to Common Mode Rejection (dB MIN)	
		1~30MHz	40MHz	50MHz	60~80MHz	1MH	30MHz	60MHz	100MHz	1~60MHz	60~200MHz
HK-064	-1.0	-16	-14	-12	-10	-55	-45	-40	-33	-37	-25

**SCHEMATICS:**

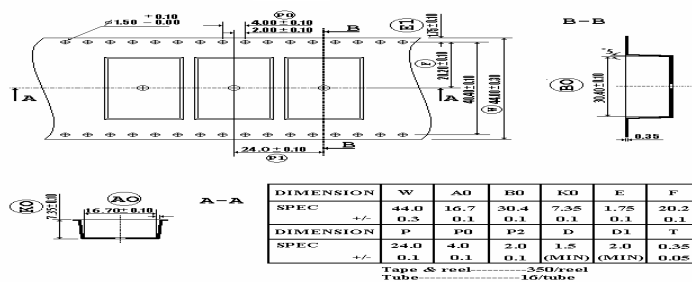


**DIMENSION: mm**

TOLERANCE: ±0.25

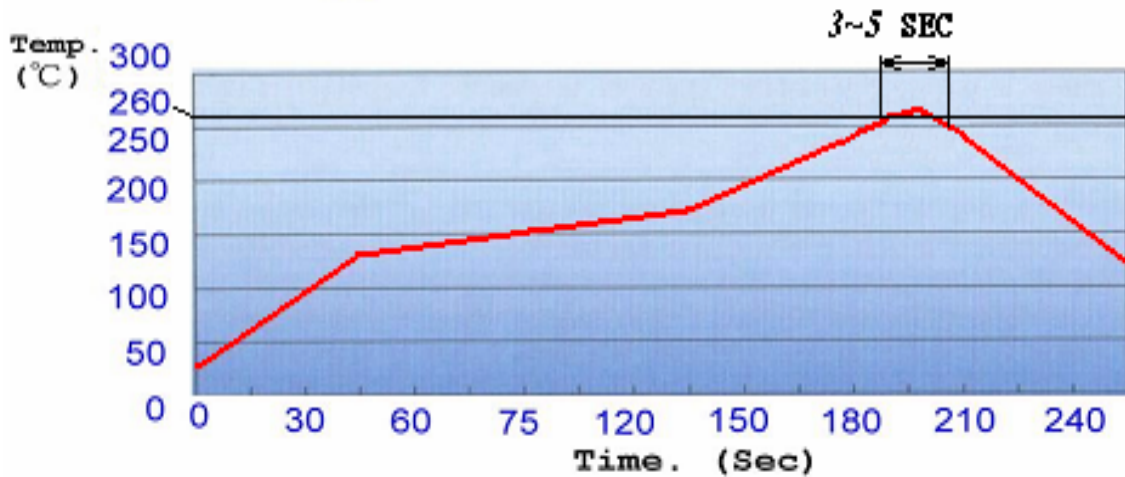


**Packing :**



## MODEL NO.: HK-064

### Profile of IR Reflow (Lead Free)



### PACKING

1. Tape & Reel : 350pcs / Reel , 1750pcs / Carton
2. Dry Pack : 1pcs  
Product Description:(5g Silica Gel Desiccant)  
PH: 4-8  
Package Materials: Paper(Length 6.5±1cm , Width 5±1cm)
3. Reel Packed By Vacuum
4. Seal Per Jedec

