

POWER OVER ETHERNET (PoE) MAGNETICS 10/100BASE-TX VoIP Magnetics Modules

MODEL NO: HA-295 (Bottom epoxy)

FEATURE:

RoHS Compliant

Not use the Controlled Substances Defined In SS-00259

Meet IEEE802.3at with 600mA Max. Current capability

Designed to meet IR requirement

Specifications @ 25°C

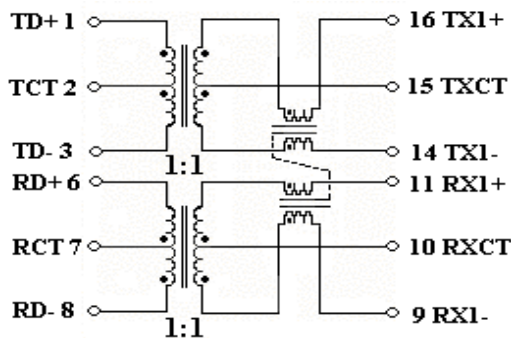
Operating temp. : -40°C ~ +85°C

Rise Time & Fall Time @ 5.0ns(Max).

OCL : 350 uH Min. @100KHz 100 mV/ 8 mA VDC

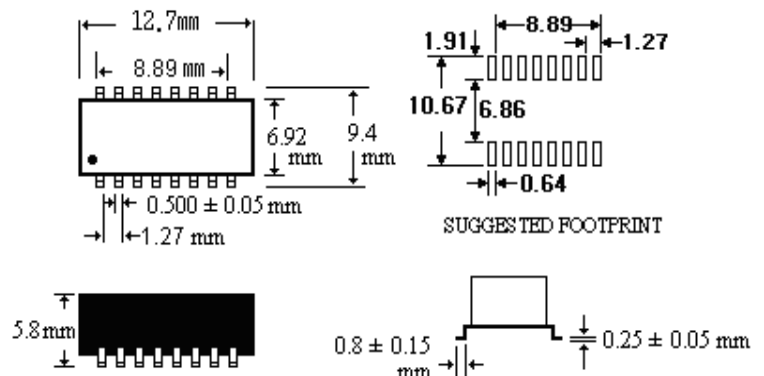
Part Number	Insertion Loss 1 to 100 MHz (dB Max)	Cross talk (dB Min)			Return Loss (dB Min)				Common Mode Rejection (dB Min)			Hi pot VAC	Cw/w (pf Typ.)	DCR (Max)
		30	60	100MHz	1-30	40	50	60-80MHz	30	60	100MHz			
HA-295	-1.2	-45	-40	-35	-16	-14	-13	-12	-43	-37	-33	1500	25	1.2

SCHEMATICS:

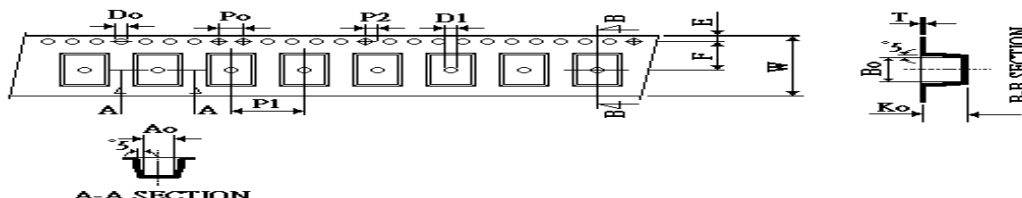


DIMENSION: mm

TOLERANCE:±0.25



Packing :



DIMENSION	W	P1	PO	E	F	AO	BO	Aot
SPEC.	24.0	16.0	4.0	1.75	11.5	10.0	13.2	0.08
	+/- 0.30	0.10	0.10	0.10	0.10	0.10	0.10	(MIN)
DIMENSION	KO	P2	Do	D1	10Po	T	K1	Bot
SPEC.	6.80	2.0	1.55	1.5	40.0	0.40	6.15	0.08
	+/- 0.10	0.10	0.05	(MIN)	0.20	0.10	0.10	(MIN)

Tape & reel.....:600/reel
Tube.....:39/tub

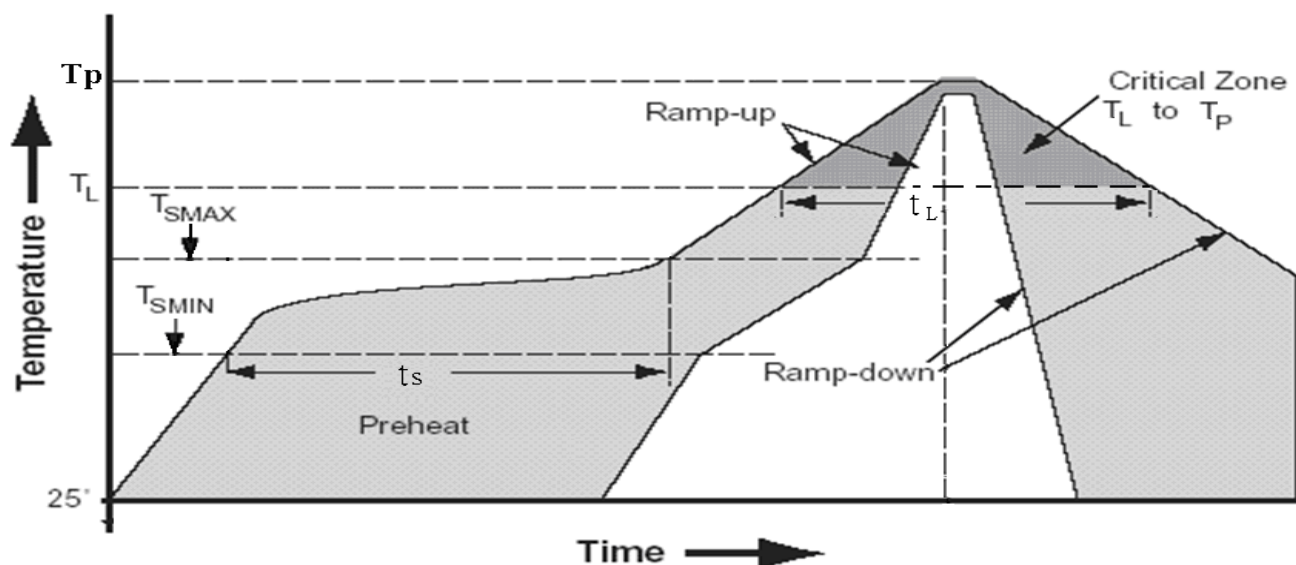
MODEL NO: HA-295

Solder Reflow profile for Lead-Free packages.

Package Peak Reflow Temperatures

Profile Feature	Lead-Free Assembly	
Average ramp-up rate(T_L to T_P)	3°C / Second Max.	
Preheat		
Temperature Min.(T_s min.)	150 °C	
Temperature Max.(T_s max.)	200 °C	
Time (min to max) (t_s)	60-180 sec	
T_s max. to T_L Ramp-up Rate	3°C / Second Max.	
Time maintained above Temperature (T_L) Time (t_L)	200 °C 60-90 sec	
Peak Temperature (T_p)	260 +0 / -5 °C	250 +0 / -5 °C
Time within 5 °C of actual peak Temp.	3 to 5 Sec	20 to 40 Sec
Ramp-down	6°C / Second Max.	
Time 25 °C to Peak Temperature	8 minutes Max.	

Profile



MODEL NO: HA-295

PACKING

1. Tape & Reel : 600pcs / Reel , 3000pcs / Carton
2. Dry Pack : 1pcs
Product Description:(5g Silica Gel Desiccant)
PH: 4-8
Package Materials: Paper(Length 6.5±1cm , Width 5±1cm)
3. Reel Packed By Vacuum
4. Seal Per JEDEC

