

Single 10/100/1000 BASE-TX Filtered Connector Module MODEL NO. : RJTPLB-201TB1

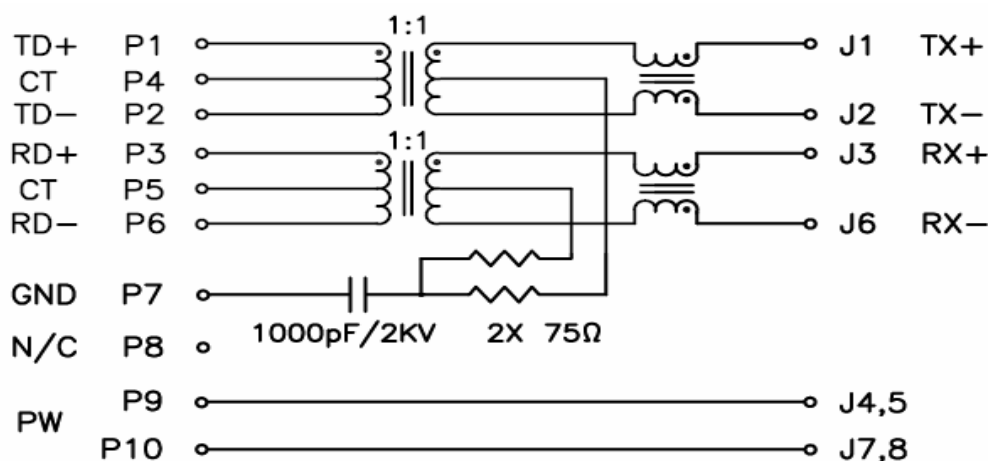
Features:

- ⊙ RoHS Compliant
- ⊙ Fully shielded magnetics protect data from internally generated digital noise
- ⊙ Reduces the overall length of the signal path for improved common mode performance
- ⊙ Implements full common mode termination scheme with used and unused twisted pairs
- ⊙ Meets IEEE802.3 Baseline Wander Compensation specification
- ⊙ Integrates high voltage capacitor to chassis ground
- ⊙ Supports all major transceivers with matched turns ration and complete integration of specified termination
- ⊙ Design for 1000base-tx transmission over UTP-5 cable
- ⊙ Operating TEMP. range:-0°C to +70°C
- ⊙ Storage TEMP. range:-55°C to +125°C
- ⊙ Primary OCL inductance: 350μH MIN. at 100KHz/0.1Vrms 8mA DC bias

Typical Performance Characteristics@ 25°C

Insertion Loss (dB MAX)	Return Loss (dB Min @100±15Ω)				Differential to Common Mode Rejection (dB MIN)	Cross talk (dB MIN)					CMRR (dB MIN)	Isolation Voltage (Vrms min)
	MHz	MHz				MHz	MHz					
1~100	1~30	40	50	60~80	1~100	20	40	60	80	100	1~100	1500
-1.0	-16	-14	-12	-10	-33	-47	-40	-37	-35	-33	-30	

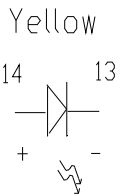
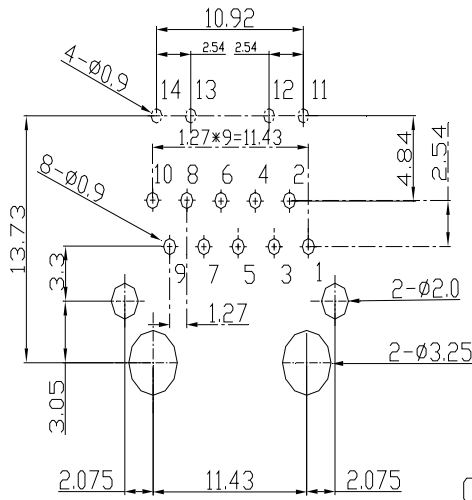
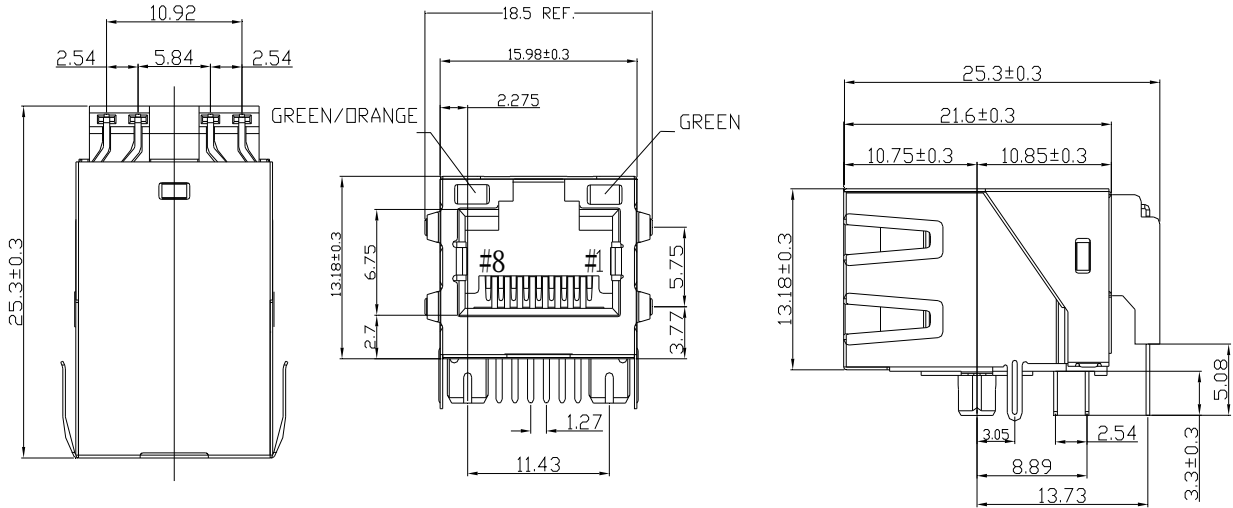
Schematic:



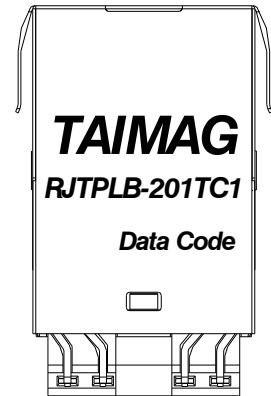
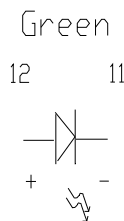
MODEL NO. : RJTPLB-201TB1

Dimension: mm

TOLERANCE: ±0.15 (unless otherwise specified)

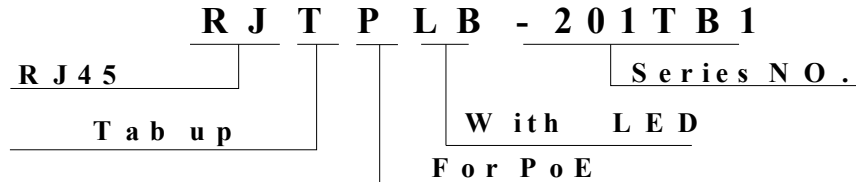


**RECOMMENDED PCB LAYOUT
COMPONENT SIDE OF BOARD**



Connector Marking

MODEL NO. : RJTPLB-201TB1 Ordering Information



Requirements :

1. Design and Construction

Product shall be of design, construction and physical dimensions specified on applicable product drawing.

2. Materials and Finish

A. Contact:

RJ Contact : Phosphor Bronze, Thickness=0.30mm

Finish :Contact Area : 6μ "min. Gold over 50μ "min. Nickel

RJ Joint Contact : SPCC, Thickness=0.3mm

Finish : 80μ "min. Sn over 50μ "min. Nickel

LED Joint Contact : SPCC, Thickness=0.50mm

Finish : 80μ "min. Sn over 50μ "min. Nickel

B. Plastic Part :

(1) Set Housing : Thermoplastic, LCP, Black

UL FILE NO. : E106764

Manufacturer : POLYPLASTICS CO LTD.

Grade : E130i(d)(e)

Flame Class : UL 94V-0

(2) Insert : Thermoplastic, LCP, Black

UL FILE NO. : E106764

Manufacturer : POLYPLASTICS CO LTD.

Grade : E130i(d)(e)

Flame Class : UL 94V-0

(3) Spacer : Thermoplastic, LCP, Black

UL FILE NO. : E106764

Manufacturer : POLYPLASTICS CO LTD.

Grade : E130i(d)(e)

Flame Class : UL 94V-0

MODEL NO. : RJTPLB-201TB1

C. Shield Material :

Cartridge t=0.25mm

10 μ "-20 μ " Thick Nickel over Brass

D. LED Lamp

(a) Lens Color : Transparent with color

(b) Emitted Color : Green & Yellow

(c) View Angle : 60°

(d) Wave Length : Green 570nm ; Yellow 585nm

(e) Forward Current / Reverse Voltage :

Green 30 mA /(5V) ; Yellow 20 mA /(5V)

(f) Material : Green (GaP/GaP) ; Yellow (GaAsP/GaP)

(g) LED Provider: GRANT GLORY ENTERRISES LTD.

(h) Part NO (Green):BA650N-YG124S (EBAG017QNGR)

(i) Part NO (Yellow):BA650N-HY224S (EBAY017QNGR)

3. Ratings

(1)Voltage rating : 125 VAC

(2)Current rating : 1.5A

Durability :

(1)1000 cycles with no function damage for RJ-45 . Abnormalities shall be present after the test.

(2)Low Level Contact Resistance : $\Delta R=30m\Omega$ maximum (final)

(3)The sample should be mounted in the tester and fully mated and unmated 500 times per hour at the rate of 25mm/min.EIA-364-09C.

MODEL NO. : RJTPLB-201TB1

1. Unit weight :5.7 grams
2. package : 64pcs / tray / 0.4048 kgms
3. Carton : 640 pcs / 10 layers of tray
4. Gross weight : 6.17 kgms

Package drawing:

