

10/100 BASE-TX Filtered SMD Connector Module

Support Auto MDIX

MODEL NO : RJSC-001TC1

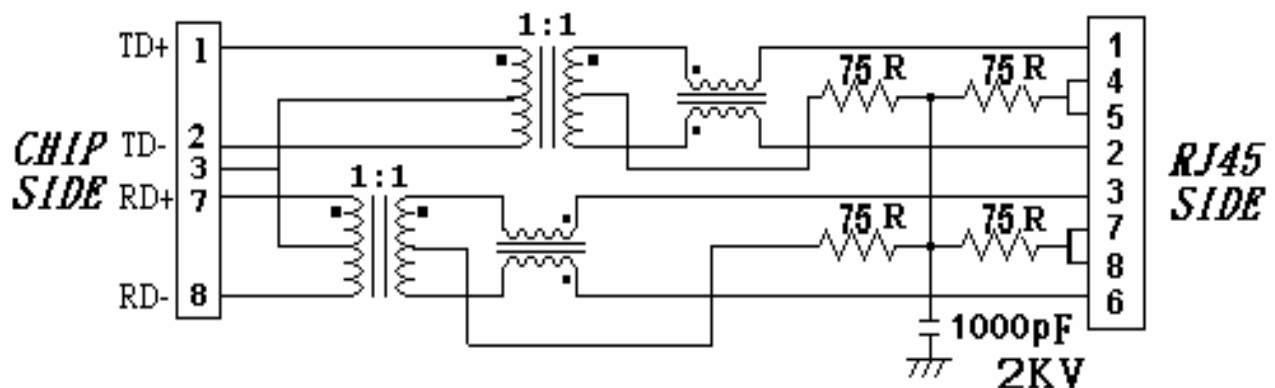
Features:

- ⊙ RoHS Compliant
- ⊙ Fully shielded magnetics protect data from internally generated digital noise
- ⊙ Reduces the overall length of the signal path for improved common mode performance
- ⊙ Implements full common mode termination scheme with used and unused twisted pairs
- ⊙ Meets IEEE802.3 Baseline Wander Compensation specification
- ⊙ Integrates high voltage capacitor to chassis ground
- ⊙ Supports all major transceivers with matched turns ration and complete integration of specified termination
- ⊙ Design for 100base-tx transmission over UTP-5 cable
- ⊙ Operating TEMP. range: -40°C to +85°C
- ⊙ Storage TEMP. range: -55°C to + 125°C
- ⊙ Primary OCL inductance: 350μH MIN. at 100KHz/0.1Vrms with 8mA DC bias

Typical Performance Characteristics@ 25°C

| Insertion Loss (dB MAX) | Return Loss (dB Min @100±15Ω) | | | | Differential to Common Mode Rejection (dB MIN) | Cross talk (dB MIN) | | | | | CMRR (dB MIN) | Isolation Voltage (Vrms min) |
|----------------------------|----------------------------------|-----|-----|-------|---------------------------------------------------------|------------------------|-----|-----|-----|-----|------------------|------------------------------------|
| | MHz | MHz | | | | MHz | | | | | | |
| 1~100 | 1~30 | 40 | 50 | 60~80 | 1~100 | 20 | 40 | 60 | 80 | 100 | 1~100 | 1500 |
| -1.0 | -16 | -14 | -12 | -10 | -33 | -47 | -40 | -37 | -35 | -33 | -30 | |

Schematic:



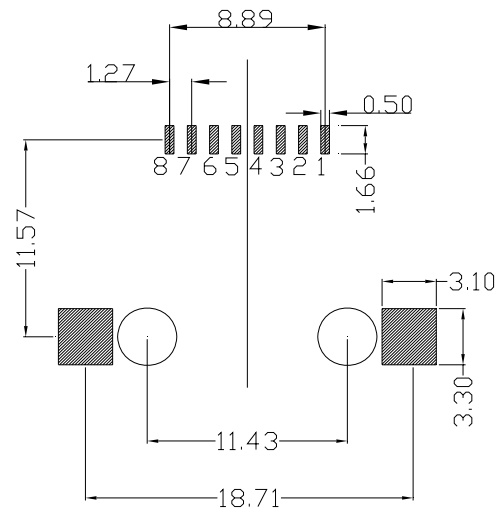
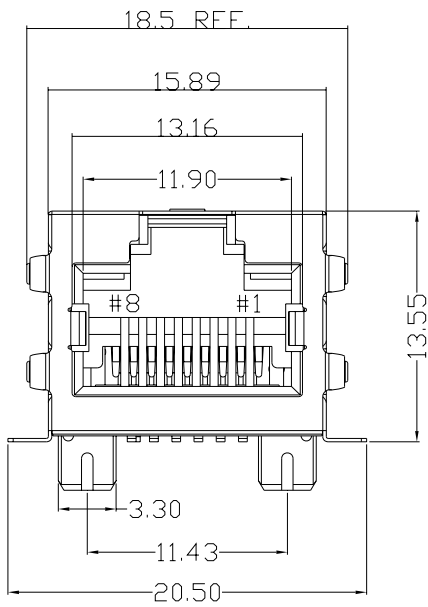
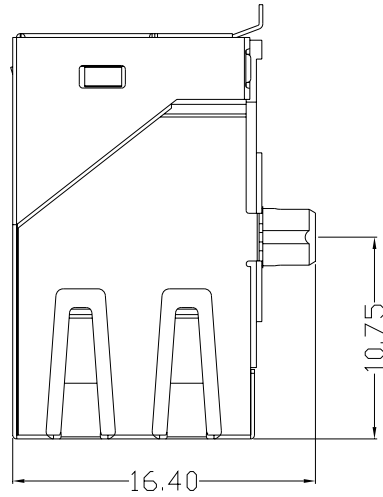
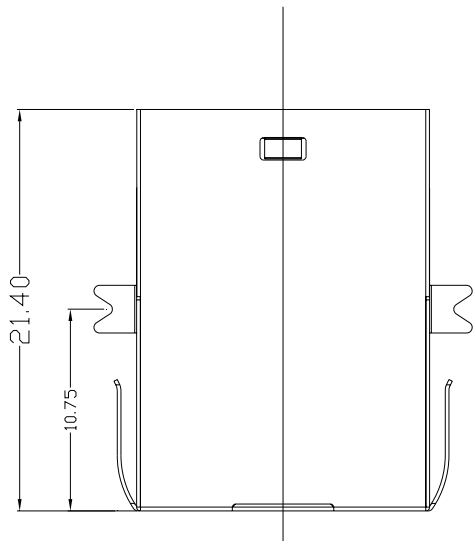


NUMBER:RD-SD-RJSC-001TC1
DATE :2007/07/02 R (REV:A1)

MODEL NO : RJSC-001TC1

Dimension: mm

TOLERANCE: ± 0.15 (unless otherwise specified)



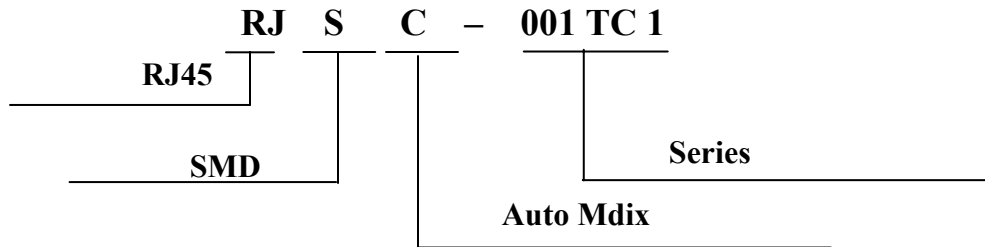
**RECOMMENDED P.C.B LAYOUT
COMPONENT SIDE OF BOARD**



NUMBER:RD-SD-RJSC-001TC1
DATE :2007/07/02 R (REV:A1)

MODEL NO : RJSC-001TC1

Ordering Information



Requirements :

1. Design and Construction

Product shall be of design, construction and physical dimensions specified on applicable product drawing.

2. Materials and Finish

A. Contact:

RJ Contact : Phosphor Bronze, Thickness=0.30mm

Finish : Contact Area :6 μ "min. Gold over 50 μ "min. Nickel

RJ Joint Contact : Brass, Thickness=0.20mm

Finish : 80 μ "min. Sn over 50 μ "min. Nickel

B. Plastic Part :

(1) Set Housing : Thermoplastic, PA-9T, Black

UL FILE NO. : E59481

Manufacturer : Kuraray CO.,LTD.

Grade : 4830G

Flame Class : UL 94V-0

(2) Insert : Thermoplastic, PA-9T, Black

UL FILE NO. : E59481

Manufacturer : Kuraray CO.,LTD.

Grade : 4830G

Flame Class : UL 94V-0

(3) Spacer : Thermoplastic, PA-9T, Black

UL FILE NO. : E59481

Manufacturer : Kuraray CO.,LTD.

Grade : 4830G

Flame Class : UL 94V-0



NUMBER:RD-SD-RJSC-001TC1
DATE :2007/07/02 R (REV:A1)

MODEL NO : RJSC-001TC1

C. Shield Material :

**Cartridge t=0.25mm
10 μ "-20 μ " Thick Nickel over Brass**

3. Ratings

- (1) Voltage rating : 125 VAC**
- (2) Current rating : 1.5A**

Durability :

- (1) 1000 cycles with no function damage for RJ-45 . Abnormalities shall be present after the test.**
- (2) Low Level Contact Resistance : $\Delta R=30m\Omega$ maximum (final)**
- (3) The sample should be mounted in the tester and fully mated and unmated 500 times per hour at the rate of 25mm/min. EIA-364-09C.**



NUMBER:RD-SD-RJSC-001TC1
DATE :2007/07/02 R (REV:A1)

MODEL NO : RJSC-001TC1

PACKING :

1. Unit weight : 4.5 grams
2. Tape & Reel : 150pcs / Reel , 750pcs / Carton
3. Dry Pack : 1pcs

Product Description:(5g Silica Gel Desiccant)

PH: 4-8

Package Materials: Paper(Length 6.5±1cm , Width 5±1cm)

4. Reel Packed By Vacuum

5. Seal Per Jedec

