

10/100 BASE FILTER WITH CONNECTOR MODEL NO. : RJLB-055TC1

Features :

◎ **RoHS Compliant**

- Fully shielded magnetics protect data from internally generated digital noise
- Reduces the overall length of the signal path for improved common mode performance
- Implements full common mode termination scheme with used and unused twisted pairs
- Meets IEEE802.3 Baseline Wander Compensation specification
- Integrates high voltage capacitor to chassis ground
- Supports all major transceivers with matched turns ration and complete integration of specified termination

◎ **Design for 100base-tx transmission over UTP-5 cable**

◎ **Operating TEMP. range: -40 to +85**

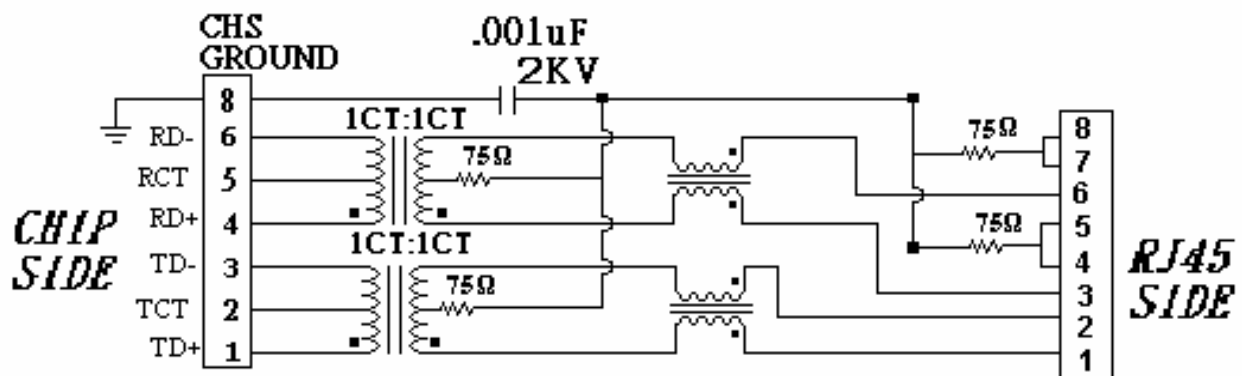
◎ **Storage TEMP. range: -55 to + 125**

- Primary OCL inductance: 350 μ H MIN. at 100KHz/0.1Vrms with 8mA DC bias
- With the LED lamp.

Typical Performance Characteristics @25

| Insertion Loss (dB MAX) | Return Loss (dB Min @100 \pm 15 Ω) | | | | Differential to Common Mode Rejection (dB MIN) | Cross talk (dB MIN) | | | | | CMRR (dB MIN) | Isolation Voltage (Vrms min) |
|----------------------------|---|-----|-----|-------|---|------------------------|-----|-----|-----|-----|------------------|------------------------------------|
| MHz | MHz | | | | MHz | MHz | | | | | MHz | 1500 |
| 1~100 | 1~30 | 40 | 50 | 60~80 | 1~100 | 20 | 40 | 60 | 80 | 100 | 1~100 | |
| -1.0 | -16 | -14 | -12 | -10 | -33 | -47 | -40 | -37 | -35 | -33 | -30 | |

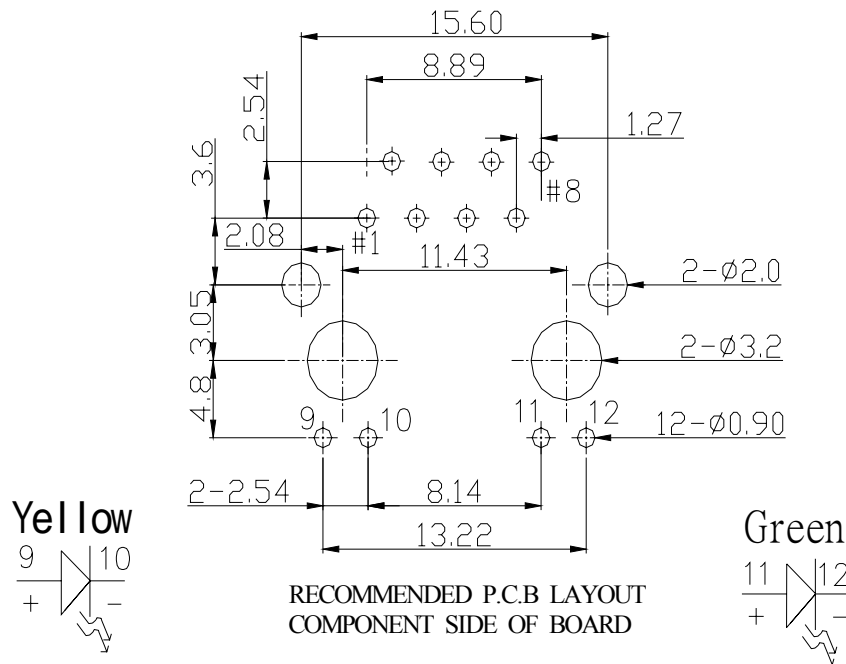
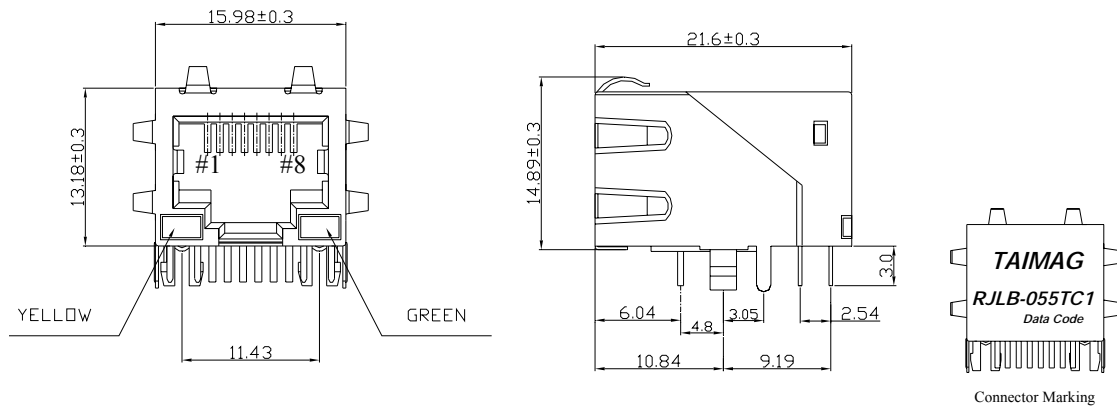
Schematic Design on MDI Interface Circuitry



MODEL NO. : RJLB-055TC1

Dimension: mm

TOLERANCE:±0.15 (unless otherwise specified)

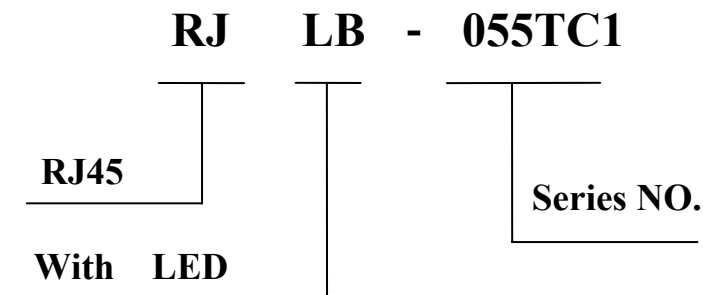




NUMBER:RD-SDRJLB-055TC1
DATE : 2005/09/09 I(REV:A1)

MODEL NO. : RJLB-055TC1

Ordering Information



Requirements :

1. Design and Construction

Product shall be of design, construction and physical dimensions specified on applicable product drawing.

2. Materials and Finish

A. Contact:

RJ Contact : Phosphor Bronze, Thickness=0.30mm

Finish :Contact Area : 6 μ "min. Gold over 50 μ "min. Nickel

RJ Joint Contact : Brass, Thickness=0.30mm

Finish : 80 μ "min. Sn over 50 μ "min. Nickel

LED Joint Contact : Brass, Thickness=0.50mm

Finish : 80 μ "min. Sn over 50 μ "min. Nickel

B. Plastic Part :

(1) Set Housing : Thermoplastic, PBT, Black

UL FILE NO. : E107536

Manufacturer : SHIKONG SYNTHETIC FIBERS CORP.

Grade : E202G30BK

Flame Class : UL 94V-0

(2) Insert : Thermoplastic, PBT, Black

UL FILE NO. : E107536

Manufacturer : SHIKONG SYNTHETIC FIBERS CORP.

Grade : E202G30BK

Flame Class : UL 94V-0

(3) Spacer : Thermoplastic, PBT, Black

UL FILE NO. : E107536

Manufacturer : SHIKONG SYNTHETIC FIBERS CORP.

Grade : E202G30BK

Flame Class : UL 94V-0



NUMBER:RD-SDRJLB-055TC1
DATE : 2005/09/09 I(REV:A1)

MODEL NO. : RJLB-055TC1

C. Shield Material :

Cartridge t=0.25mm

10 μ"-20 μ" Thick Nickel over Brass

D. LED Lamp

(a) Lens Color : Transparent with color

(b) Emitted Color : Green & Yellow

(c) View Angle : 65°

(d) Wave Length : Green 565nm ; Yellow 585nm

(e) Recommended operation current (IF) : 20 mA

3. Ratings

(1) Voltage rating : 125 VAC

(2) Current rating : 1.5A

Durability :

(1) 1000 cycles with no function damage for RJ-45 . Abnormalities shall be present after the test.

(2) Low Level Contact Resistance : $\Delta R=30m\Omega$ maximum (final)

(3) The sample should be mounted in the tester and fully mated and unmated 500 times per hour at the rate of 25mm/min.EIA-364-09C.

Model NO.: RJLB-055TC1

1. Unit weight :5.7 grams
2. package : 100 pcs / tray / 0.61 kgms
3. Carton : 1000 pcs / 10 layers of tray
4. Gross weight : 6.6455 kgms

Package drawing:

