



NUMBER:RD-SD-AJ-117SH-1-F-4-B1-N4-YG(AS)
 DATE : 2009/03/11 - R (REV:A1)

MODEL NO. : RJL-008NC1

EMI-RFI ONE PIECE SHIELD, ESD GROUNDED, SINGLE PORT LED JACK

Features:

- ⊙ RoHS Compliant
- ⊙ Meets IEEE802.3 Baseline Wander Compensation specification
- ⊙ Operating Temp Range : -40°C to +85°C
- ⊙ Insulation Resistance : 500M-Ohm Min
- ⊙ Contact Resistance : 20milli-Ohm Max.
- ⊙ Dielectric Voltage : 1000 V RMS 60Hz 1minute
- ⊙ Design for 100BASE-TX Transmission over UTP-5 cable.

Materials

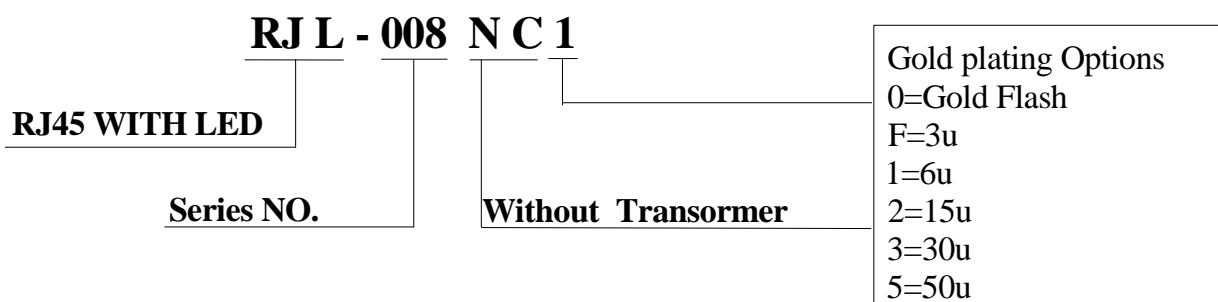
- ⊙ Plastic Housing : Engineering Thermoplastic
Flammability Rating UL 94V-0
- ⊙ Contacts: 0.35MM Thickness Phosphor Bronze
- ⊙ Plating (6 μ"): Gold Plating Over Nickel in Contact, Tin Plating Over Nickel in Solder Area.
- ⊙ Shield: Brass With Nickel Plated.

LED Configuration (Recommended operation current (IF) : 20 mA)			
Standard LED	Wavelength	Forward V(MAX)	(TYP)
Green	565nm	2.5V	2.1V

RJ45 Durability Testing Rating			
Mating Force (MAX)	Unmating Force (MAX)	Durability	Plug to Jack Retention(MIN)
5 lbs/2.268 kgs	5 lbs/2.268 kgs	500 Insertions	20 lbs/9.072 kgs

Ratings	
Voltage rating	Current rating
125 VAC	1.5A

Ordering Information

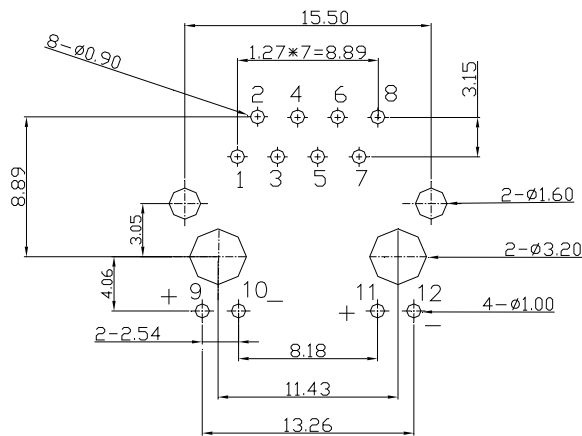
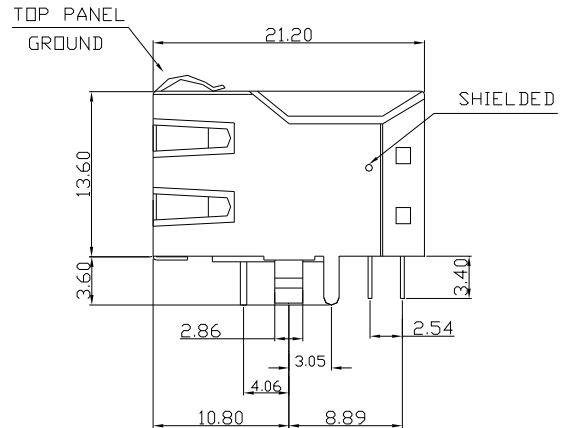
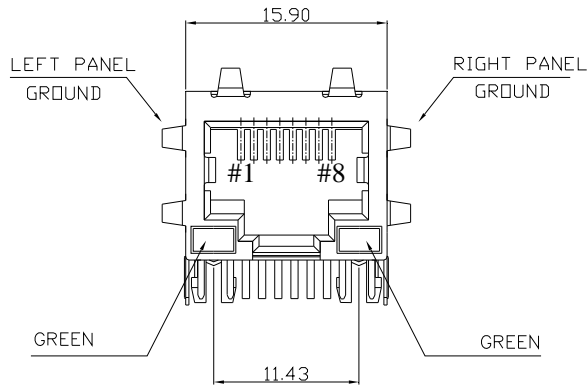




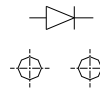
NUMBER:RD-SD-AJ-117SH-1-F-4-B1-N4-YG(AS)
DATE : 2009/03/11 - R (REV:A1)

MODEL NO. : RJL-008NC1

Dimension: mm TOLERANCE:±0.15



**LED POLARITY
(ENLARGED VIEW)**



SINGLE COLOR LED

PCB Layout
(Top View)