

Multi-Port 10/100/1000 BASE-TX Filtered Connector Module MODEL NO. : RJLDG14-401LB1

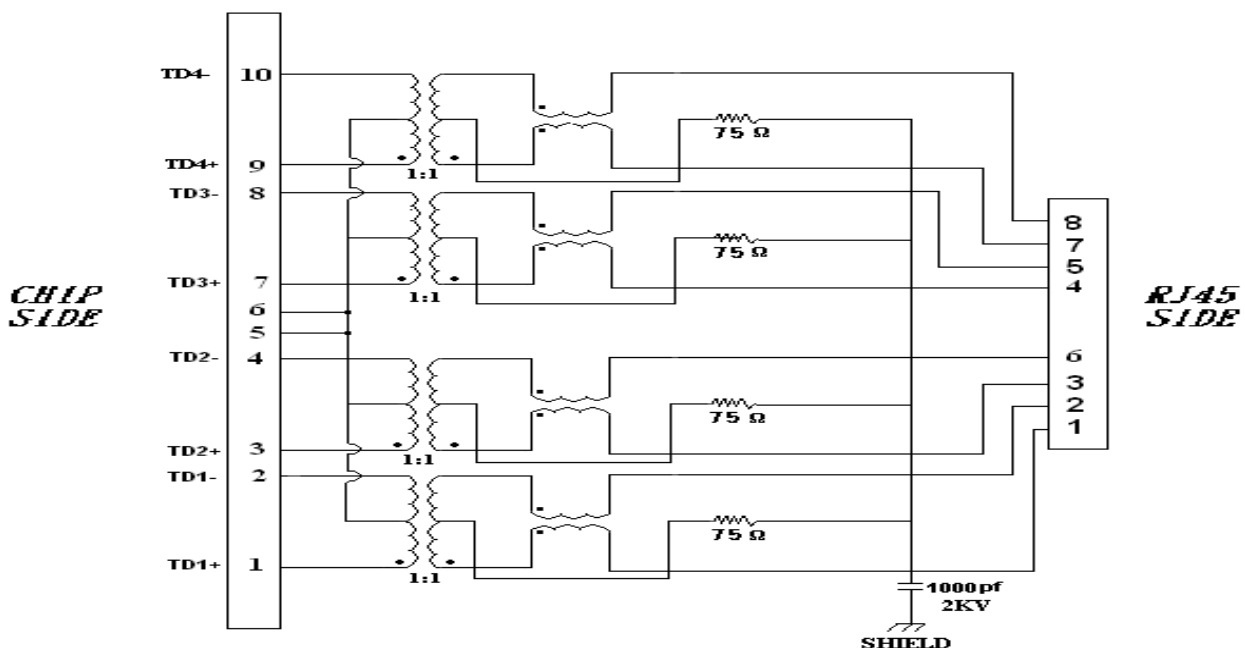
Features:

- ⊙ RoHS Compliant
- ⊙ Do not use material and use that the prohibition that SS-00259 stipulates
- ⊙ Fully shielded magnetics protect data from internally generated digital noise
- ⊙ Reduces the overall length of the signal path for improved common mode performance
- ⊙ Implements full common mode termination scheme with used and unused twisted pairs
- ⊙ Meets IEEE802.3 Baseline Wander Compensation specification
- ⊙ Integrates high voltage capacitor to chassis ground
- ⊙ Supports all major transceivers with matched turns ration and complete integration of specified termination
- ⊙ Design for 100base-tx transmission OVER UTP-5 cable
- ⊙ Operating TEMP. range:-40°C to +85°C
- ⊙ Storage TEMP. range:-55°C to +125°C
- ⊙ Primary OCL inductance:350uH MIN. at 100KHz/0.1Vrms 8mA DC bias.

Typical Performance Characteristics@ 25C

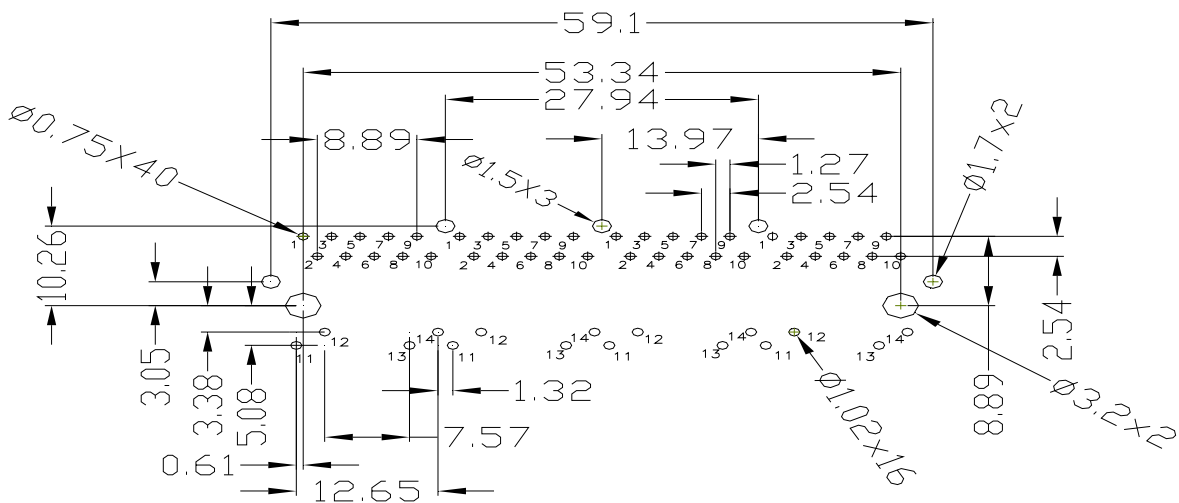
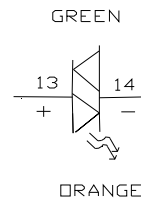
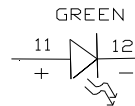
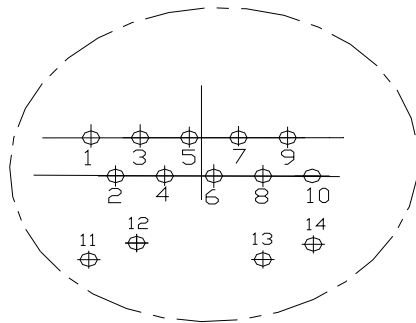
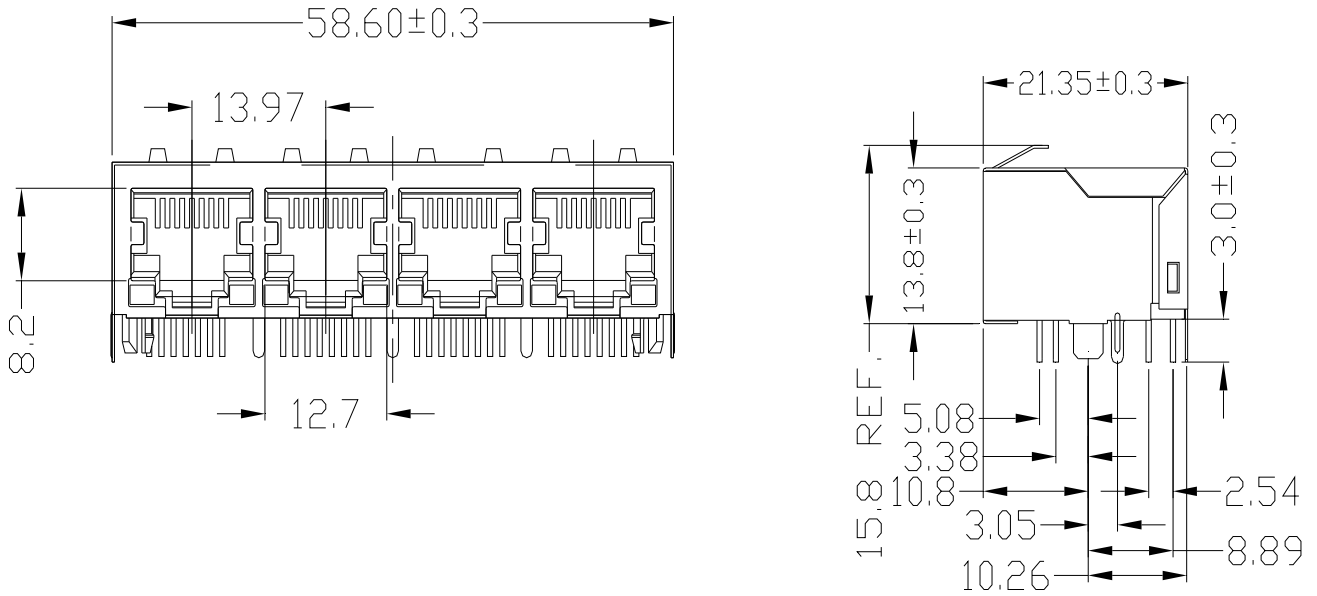
Insertion Loss (dB MAX)	Return Loss (dB Min @100±15Ω)				Differential to Common Mode Rejection (dB MIN)	Cross talk (dB MIN)					CMRR (dB MIN)	Isolation Voltage (Vrms min)
	MHz	MHz				MHz	MHz					
1~100	1~30	40	50	60~80	1~100	20	40	60	80	100	1~100	1500
-1.0	-16	-14	-12	-10	-33	-47	-40	-37	-35	-33	-30	

Schematic Design on MDI Interface Circuitry



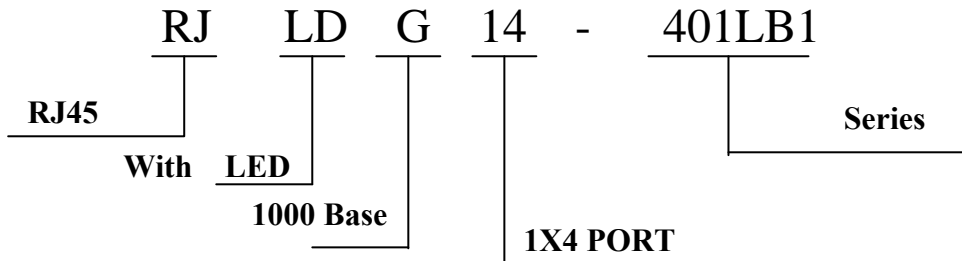
MODEL NO. : RJLDG14-401LB1

Dimension: mm **TOLERANCE:±0.15 (unless otherwise specified)**



PC Board Layout
Component Side Shown

MODEL NO. : RJLDG14-401LB1 Ordering Information



Requirements :

1. Design and Construction

Product shall be of design, construction and physical dimensions specified on applicable product drawing.

2. Materials and Finish

A. Contact:

RJ Contact : Phosphor Bronze, Thickness=0.35mm

Finish : Contact Area : 6 μ "min. Gold over 50 μ "min. Nickel

RJ Joint Contact : SPCC, Thickness=0.4mm

Finish : 80 μ "min. Sn over 50 μ "min. Nickel

LED Joint Contact : SPCC, Thickness=0.50mm

Finish : 80 μ "min. Sn over 50 μ "min. Nickel

B. Plastic Part :

(1) Set Housing : Thermoplastic, Nylon 66 Black

UL FILE NO. : E130155

Manufacturer : POLYPLASTICS CO LTD.

Grade : 6410G5

Flame Class : UL 94V-0

(2) Insert : Thermoplastic, Nylon 66 Black

UL FILE NO. : E130155

Manufacturer : POLYPLASTICS CO LTD.

Grade : 6410G5

Flame Class : UL 94V-0

(3) Spacer : Thermoplastic, Nylon 66 Black

UL FILE NO. : E130155

Manufacturer : POLYPLASTICS CO LTD.

Grade : 6410G5

Flame Class : UL 94V-0

MODEL NO. : RJLDG14-401LB1

C. Shield Material :

Cartridge $t=0.25\pm0.05\text{mm}$

10 μ ”-20 μ ” Thick Nickel over Brass.

D. LED Lamp

(a) Lens Color : Transparent with color

(b) Emitted Color : Green & Orange & Yellow

(c) View Angle : 60°

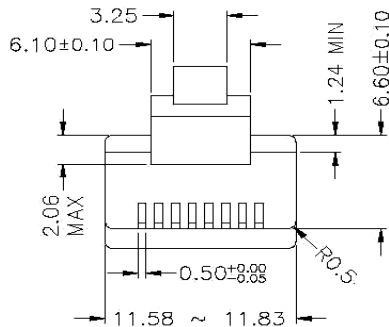
(d) Wave Length : Green 570nm ; Orange 605 nm ; Yellow 585nm

(e) Recommended operation current (IF) : 20 mA

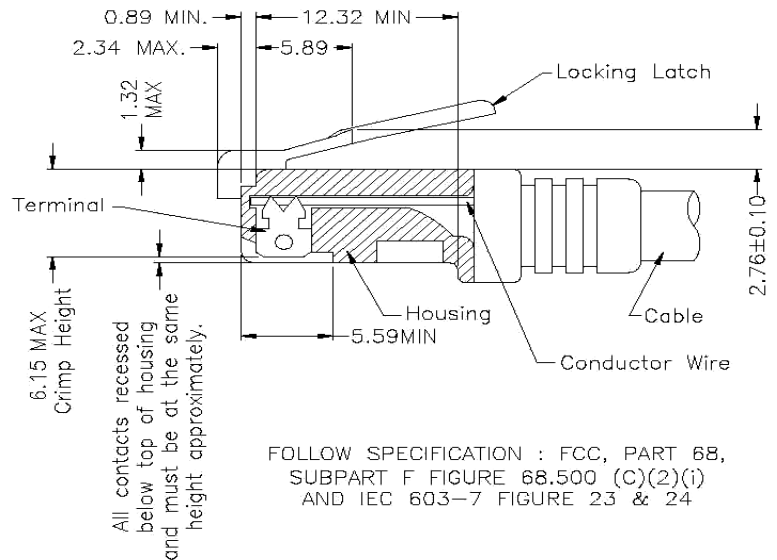
Durability :

- (1) 1000 cycles with no function damage for RJ-45 . Abnormalities shall be present after the test.
- (2) Low Level Contact Resistance : $\Delta R=30\text{m}\Omega$ maximum (final)
- (3) The sample should be mounted in the tester and fully mated and unmated 500 times per hour at the rate of 25mm/min. EIA-364-09C.

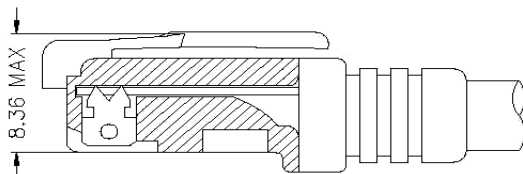
RJ PLUG SPECIFICATION :



- * There must be no damage to housing or locking latch. There must be no nicks or cuts in cable.
- * Durability : 750 cycles generally



FOLLOW SPECIFICATION : FCC, PART 68, SUBPART F FIGURE 68.500 (C)(2)(i) AND IEC 603-7 FIGURE 23 & 24



STANDARD MODULAR PLUG ASSEMBLY

FOLLOW SPECIFICATION : FCC, PART 68, SUBPART F FIGURE 68.500 (C)(2)(ii)

MODEL NO. : RJLDG14-401LB1

1. Unit weight :18.2 grams
2. package : 36 pcs / tray / 0.6952 kgms
3. Carton : 360 pcs / 10 layers of tray
4. Gross weight : 7.645 kgms

Package drawing:

