

MODEL NO. : RJL14-003NC1

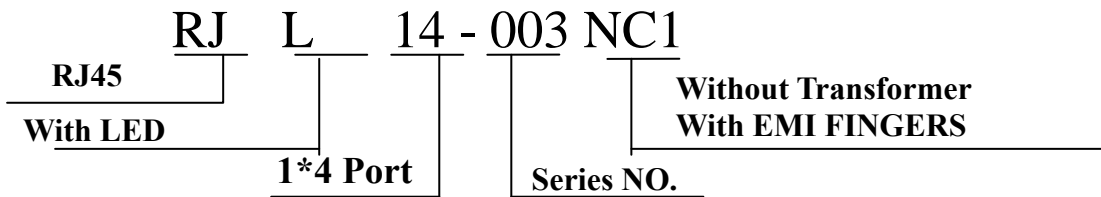
Features:

- ⊙ RoHS Compliant
- ⊙ Meets IEEE802.3 Baseline Wander Compensation specification
- ⊙ Operating Temp Range : -40°C To +85°C
- ⊙ Dielectric Voltage : 1500 V RMS 60Hz 1minute

Materials:

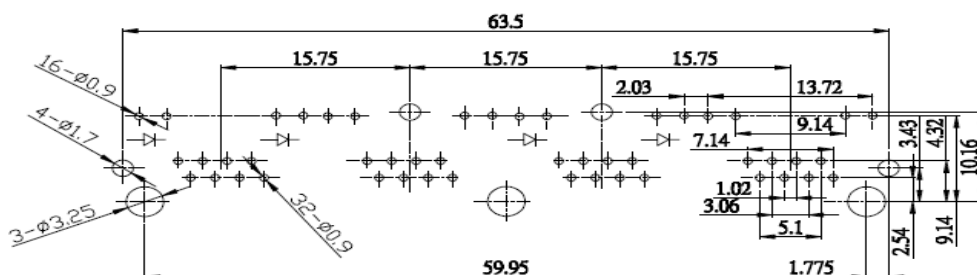
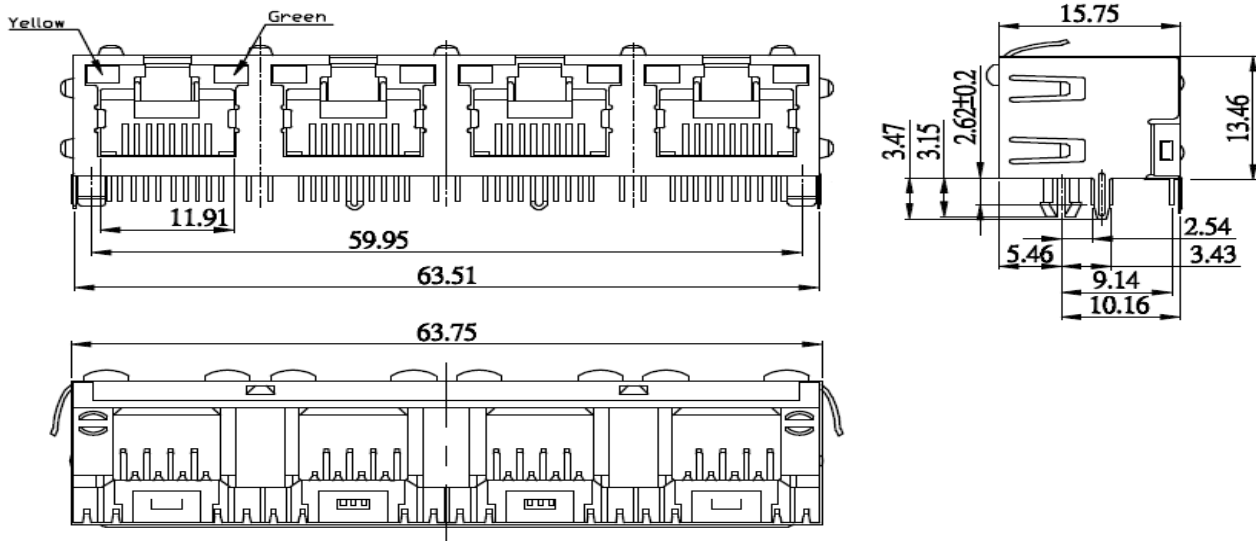
- ⊙ Housing : Glass Filled Polyester (UL 94V-0)
- ⊙ Standard Colour : Black
- ⊙ Contact: 0.45mm Dia Phosphor Bronze Gold Plating Over Nickel
- ⊙ Plating (6μ") : Gold Plating Over Nickel in Contact, Tin Plating Over Nickel in Solder Area.
- ⊙ Shield: 0.20mm Thickness Copper Alloy With Tin Plated

Ordering Information



Dimension: mm

TOLERANCE:±0.15 (unless otherwise specified)



MODEL NO. : RJL14-003NC1

1. Unit weight :18.2 grams
2. package : 36 pcs / tray / 0.6952 kgms
3. Carton : 360 pcs / 10 layers of tray
4. Gross weight : 7.645 kgms

Package drawing:

