

MODEL NO. : TJ-001NS2

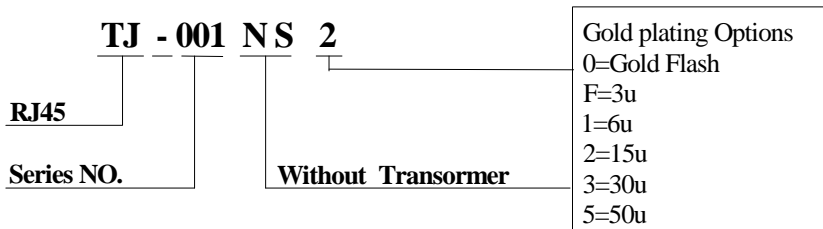
Features:

- ⊙ **RoHS Compliant**
- ⊙ **Meets IEEE802.3 Baseline Wander Compensation specification**
- ⊙ **Operating Temp Range: -40°C To +85°C**
- ⊙ **Plating(15u"): Gold Plating Over Nickel in Contact, Tin Plating Over Nickel in Solder Area**
- ⊙ **Voltage Rating: 125VAC**
- ⊙ **Current Rating: 1A MAX**
- ⊙ **Dielectric Voltage : 1,000Vrms 60 Sec. Min**
- ⊙ **Design for 10/100BASE-TX Transmission over UTP5**

Materials:

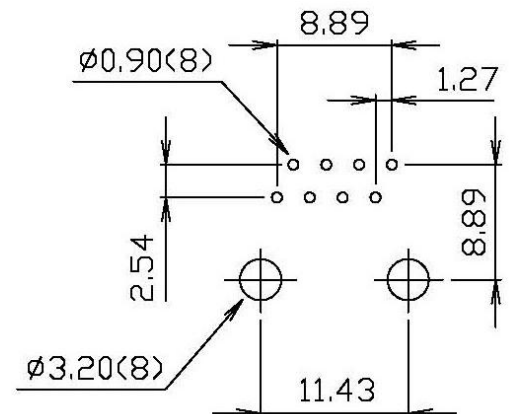
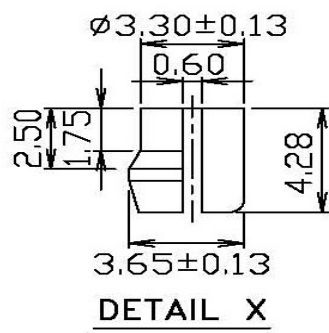
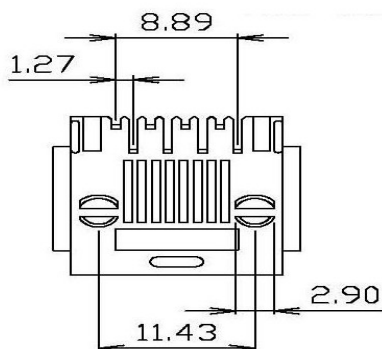
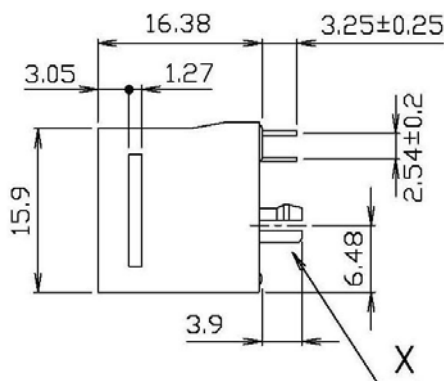
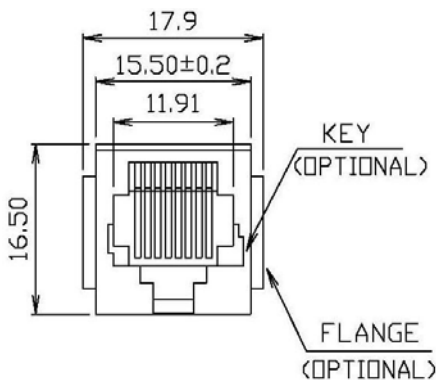
- ⊙ **Plastic Housing : Engineering Thermoplastic
Flammability Rating UL 94V-0**
- ⊙ **Contacts: 0.45mm Dia. Phosphor Bronze**
- ⊙ **Voltage Rating : 150 VAC**
- ⊙ **Current rating: 1.5 AMP**

Ordering Information



Dimension: mm

TOLERANCE:±0.30



PC Board Layout